



41180 Raintree Court
Murrieta, CA 92562
1-888-304-0660
www.waterstoneco.com

ITEM NO: **4065**

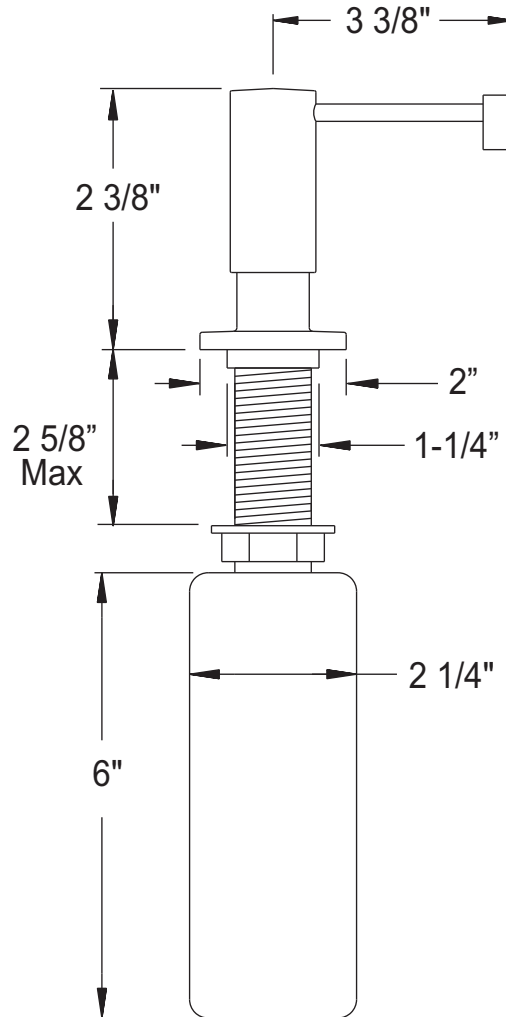
STYLE: **CONTEMPORARY**

INTENDED USE:
SOAP/LOTION DISPENSER

CUSTOMER NAME:

JOB NO:

DIMENSIONS MAY VARY AND ARE SUBJECT TO CHANGE. NO RESPONSIBILITY IS ASSUMED FOR USE OF SUPERCEDED OR VOIDED DATA



Technical Specifications

- Solid brass or stainless steel construction.
- "Anti-wick" tip helps protect delicate patina finishes.
- PTFE guides for smooth action and solid feel.
- Easily replaceable pump.
- 12oz capacity (approx).
- Refill from top design.
- Requires $1 \frac{3}{8}$ " mounting hole.

DATE: 10-26-07



MADE IN THE USA