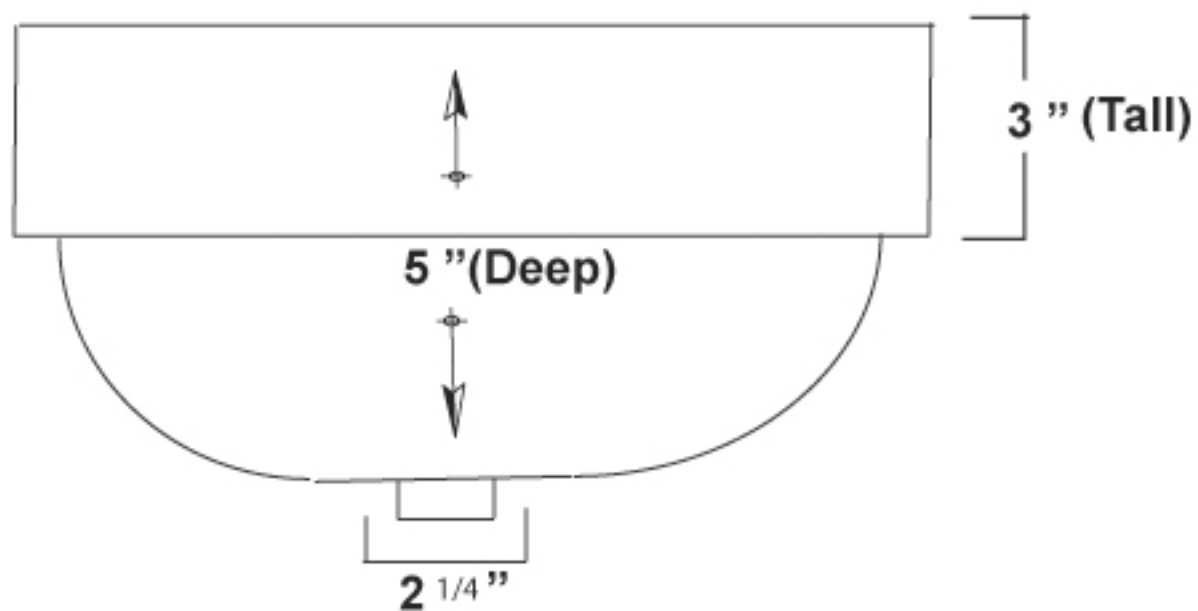
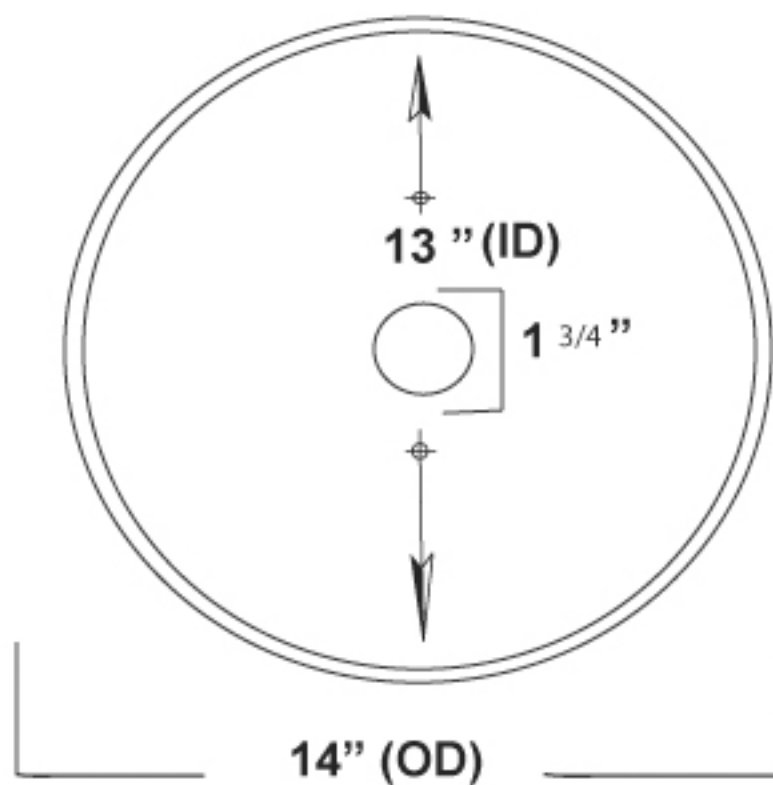


Cosmopolitan Model # RV14 Specifications Sheet



40 lbs.

Installation Instructions

1

DRILL HOLE IN COUNTERTOP

1. Determine location of lavatory on countertop.
2. Mark center of drain hole.
3. Drill 13 1/2" hole at center mark

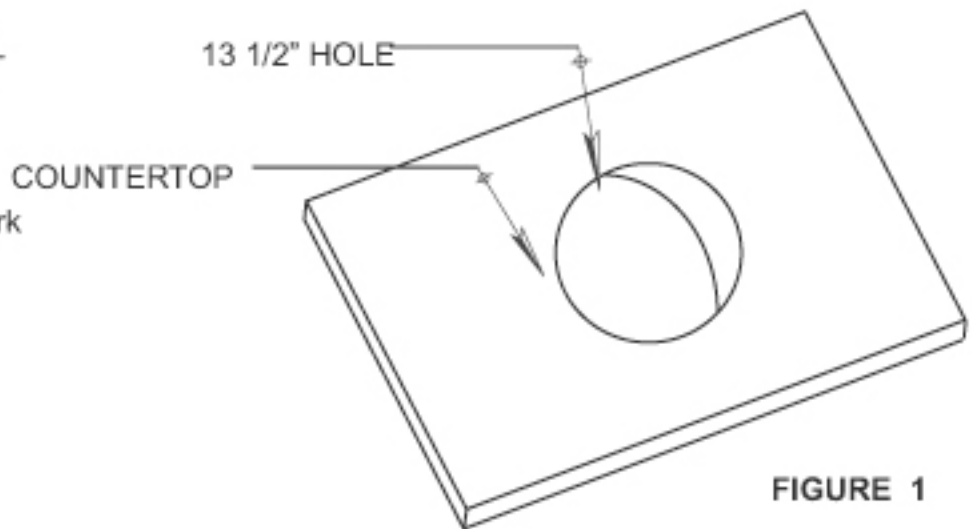


FIGURE 1

2

MOUNT LAVATORY

1. Apply a liberal bead of silicone adhesive around drain hole. (Figure 2)
2. Carefully position lavatory over center of drain hole and apply pressure.
3. Using a damp rag, remove any excess adhesive which may have squeezed out during installation.
4. Allow adhesive to cure before installing drain.

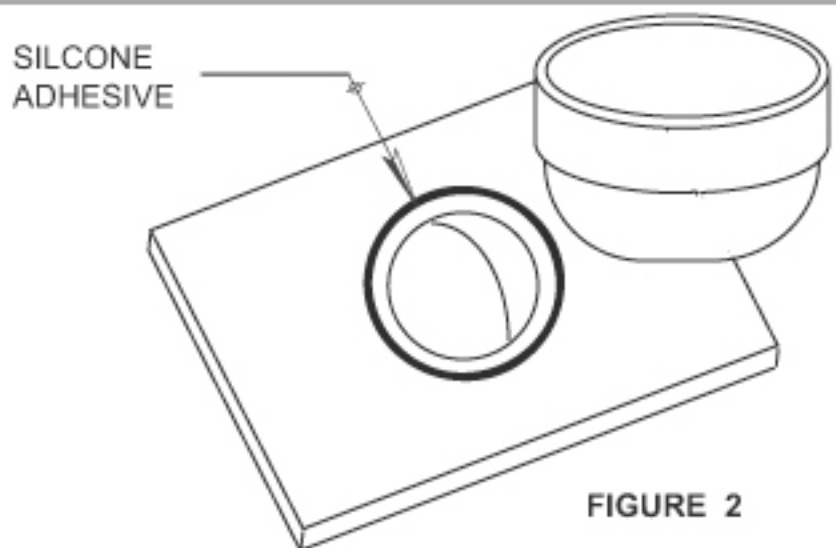


FIGURE 2

3

COMPLETE INSTALLATION

1. Install drain flange per faucet manufacturers instructions (drain not included).
2. Firmly tighten drain flange from underside of countertop.

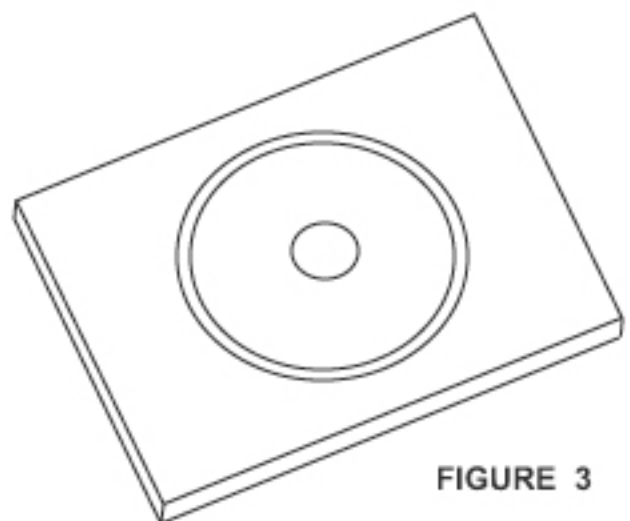


FIGURE 3