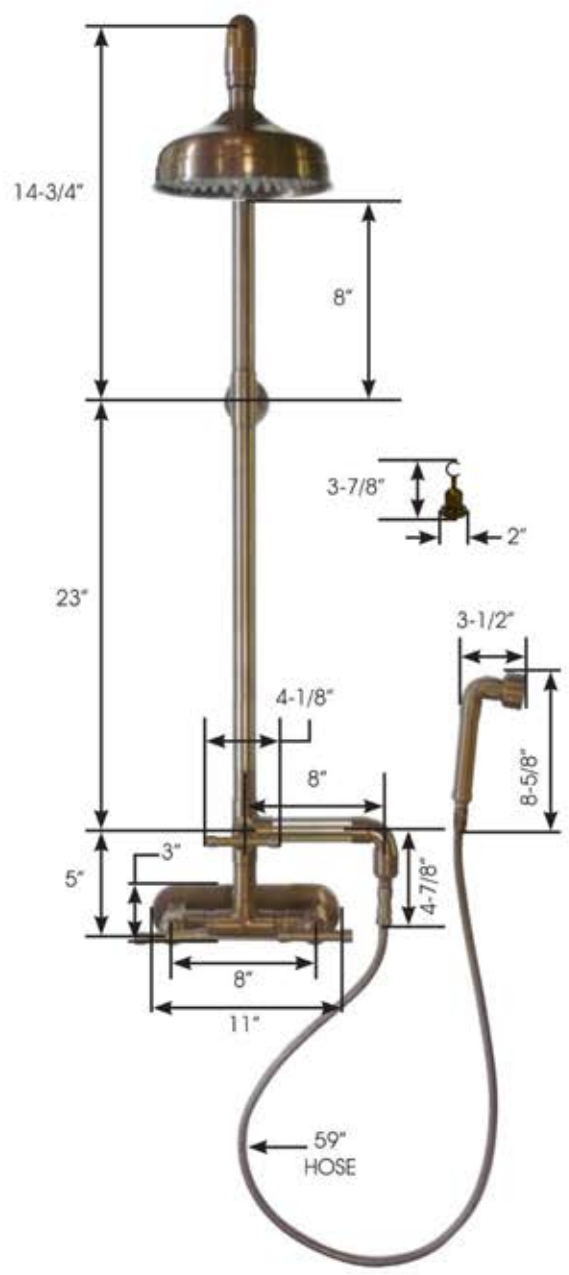
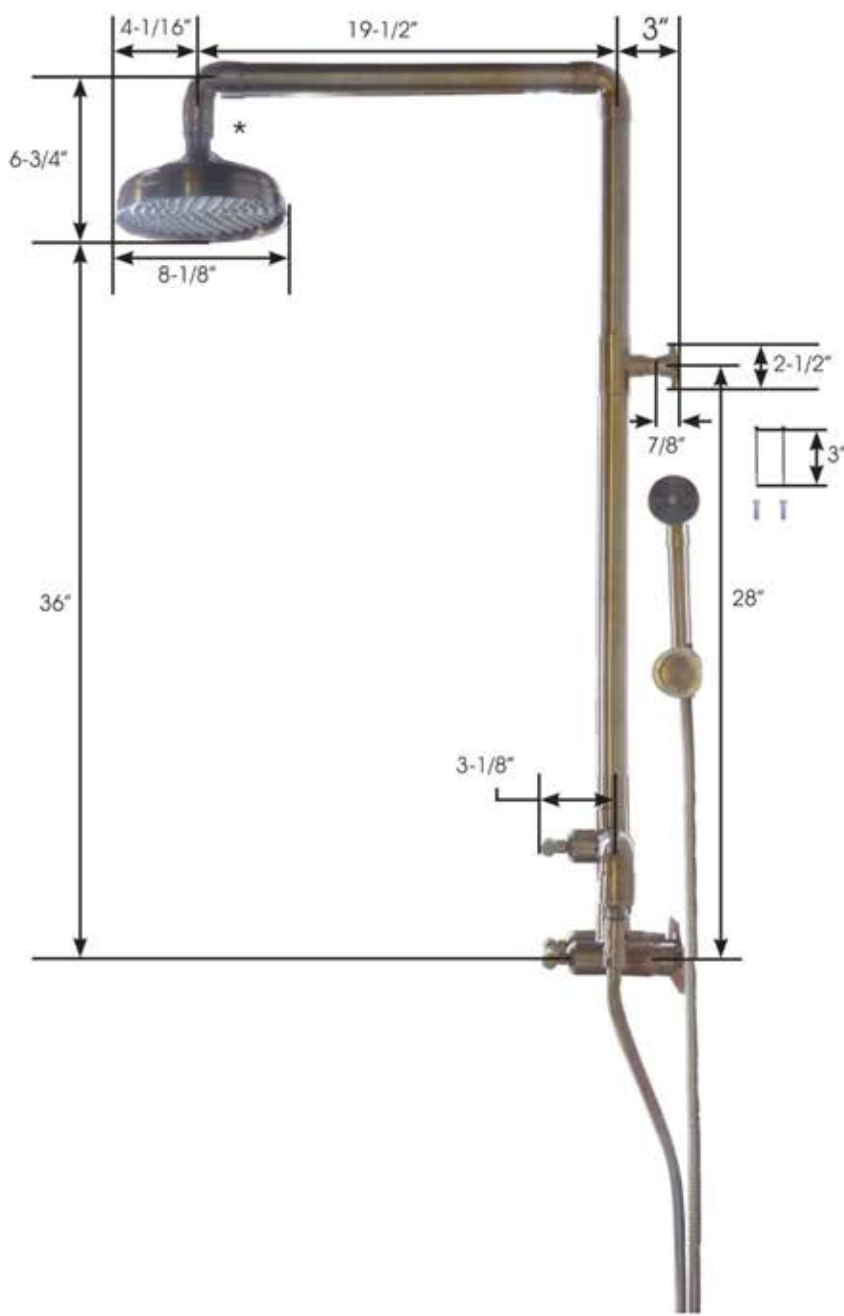




PRODUCT SPECIFICATIONS

Apr 2016

Waterbridge Exposed Shower WB-SHW-850



- ADA Compliant
- Offset and Cross handles available
- Custom sizes and finishes available
- These specs are valid only for fixtures manufactured after April 2016

Connection	1/2" Copper
Valve	1/2" Ceramic
GPM	2.0