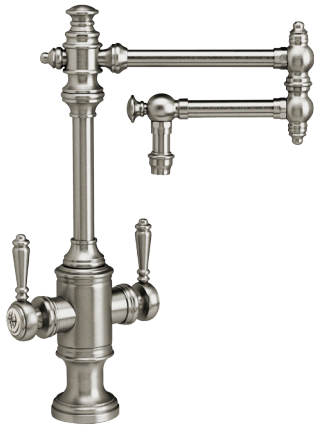


TOWSON TWO HANDLED KITCHEN FAUCET - 12" ARTICULATED SPOUT

Model # 8010-12



PRODUCT DESCRIPTION

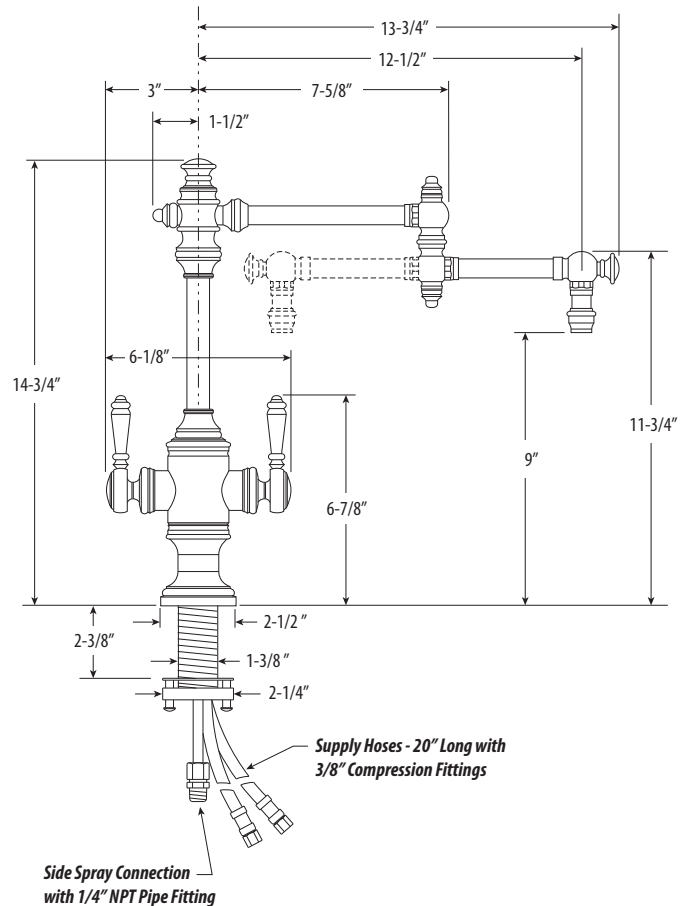
- Part of the Towson Traditional Suite.
- Innovative articulated spout with **12"** reach.
- Spout swivels 360 degrees.
- Equipped with diverter for optional side spray.
- Hot and cold double lever handles.
- Adjustable handle brake system prevents handle sagging.
- Single lever control with Hot/Cold ceramic disk valve cartridge.
- Compatible with Reverse Osmosis filtration systems.
- 1.75 gpm maximum flow rate.
- Aerated stream.
- Solid brass construction.
- Includes 4 handle button options. 2 finish match and 2 ceramic Hot and Cold buttons.
- Reinforced braided connection hoses.
- Lifetime functional warranty.
- Made in the USA.

CODES/STANDARDS APPLICABLE

Specified model meets or exceeds the following:

- ASME A112.18.1
- CSA B125.1
- NSF 61, 372
- CALGreen
- ADA Compliant

- Max Counter Thickness 2-3/8"
- Install Hole Size Adaptable Up to 1-1/2"



DIMENSIONS MAY VARY AND ARE SUBJECT TO CHANGE. NO RESPONSIBILITY IS ASSUMED FOR USE OF SUPERCEDED OR VOIDED DATA



AVAILABLE IN 29 FINISHES + SOLID STAINLESS STEEL

Antique Brass - AB
Antique Bronze - ABZ
Antique Copper - AC
American Bronze - AMB
Antique Pewter - AP
Gloss Black - GB
Black Nickel - BLN
Black-Oil Rubbed Bronze - ORB
Caribbean Bronze - CB
Chocolate Bronze - CHB

Chrome - CH
Distressed Antique Brass - DAB
Distressed Antique Copper - DAC
Distressed American Bronze - DAMB
Distressed Antique Pewter - DAP
Matte Black - MB
Polished Brass - PB
Polished Copper - PC
Polished Gold - PG
Polished Nickel - PN

Satin Chrome - SC
Satin Gold - SG
Satin Nickel - SN
Stainless Steel - SS*
Tuscan Brass - TB
Unlaquered Polished Brass - UPB
Venetian Bronze - VB
Weathered Brass - WB
Weathered Copper - WC